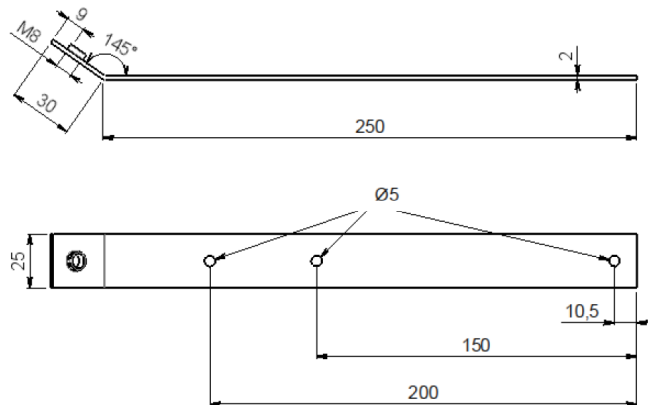




ARTÍCULO

Gusset combination

SCHEME



CHARACTERISTICS

Material

Plate: pickled sheet metal DD11 with GEOMET 500B treatment
Stud rod: steel C9D with GEOMET 500B treatment

Products

Platen for ridge 250x30 mm threaded

Threaded rod M8x100mm

2 nuts DIN 934 M8